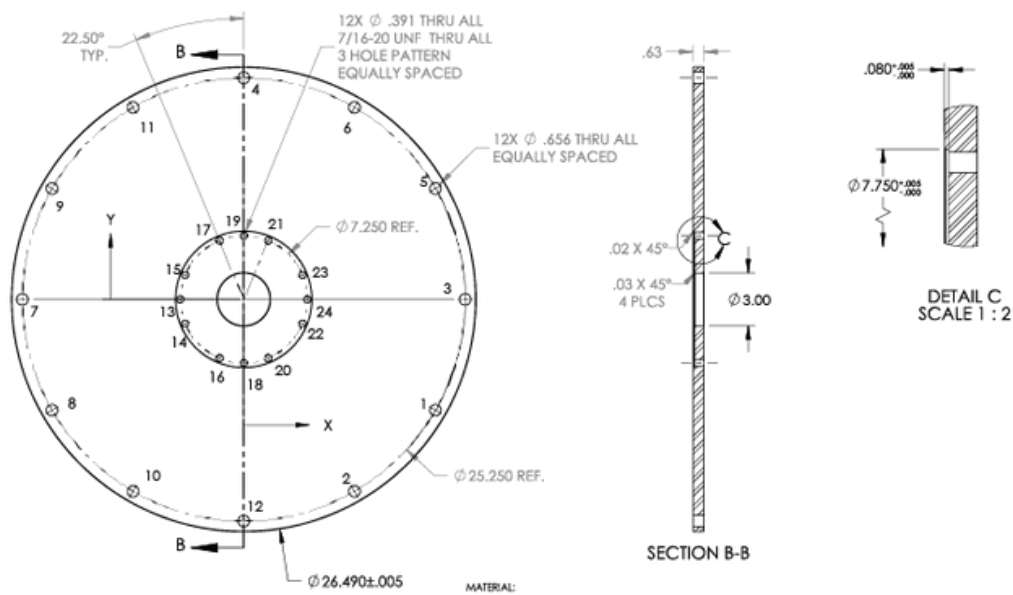




Worldwide Sales since 1957

AW Dynamometer, Inc.  
800-447-2511 | sales@awdynamometer.com

# CUSTOM MACHINED FLYWHEEL PLATES



## FLYWHEEL PLATE

Pictured above is an SAE 21 Flywheel Plate with an 1810 Spacer Driveline Bolt Pattern.

AW has a precision CNC machine shop capable of producing custom machined flywheel plates for any driveline flange including AW's Universal Driveline Adapter.